



Rotorbake E2 10T 46×66 Manual

Electrical Supply

CODE: 926009110

Trays	10T 46x66 cm
Outside dimension	1150 L x 1200 P x 1310 H mm
Tray distance	82 mm
Power	16 kW
Weight	265 Kg
Max temperature	270° C
Power supply	400 V ~ 3PH + N + PE 400 V ~ 2PH + N + PE 230 V ~ 3PH + PE 230 V ~ 1PH + N + PE 50-60 Hz

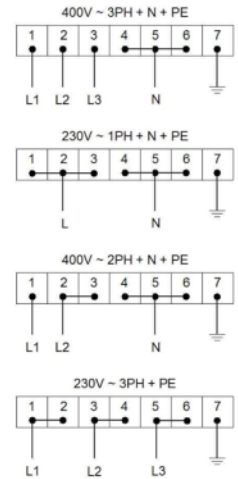
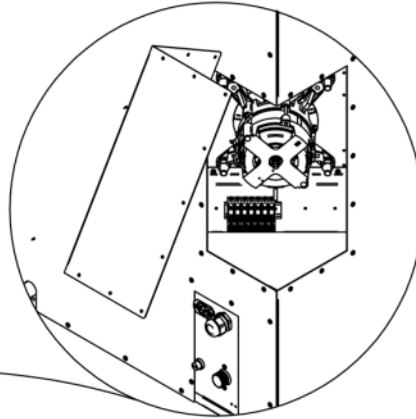
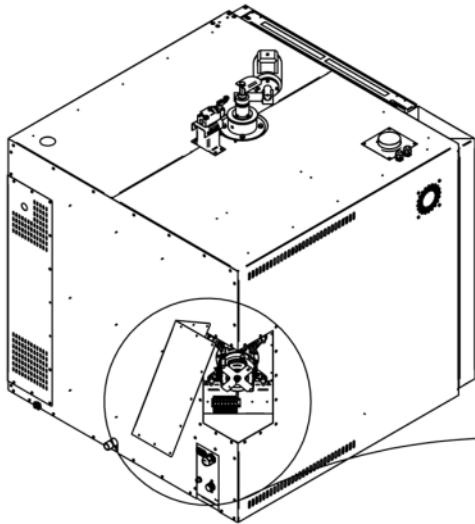
Equipment

Led illumination	BakeAIR multi-fan system	Double low emissive glass
High-performance thermal insulation	CE Certificate	Time-programmable steam injection
Manual steam injection	Manual mode	EAC certification

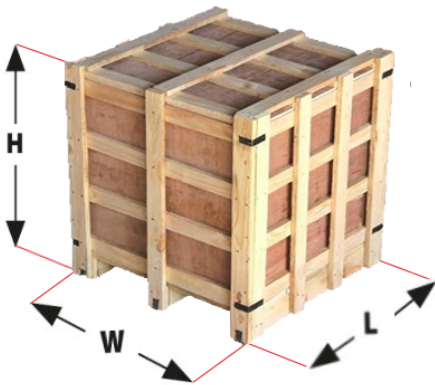
Rotorbake E2 10T 46×66 Manual

Electrical Supply

Supply and Connections



Packaging



Packing size:	1240 L x 1400 P x 1520 H mm
Net weight:	265 Kg
Gross weight:	305 Kg