



Lievitatore Mistral TTR

Electrical Supply

CODE: 947477400

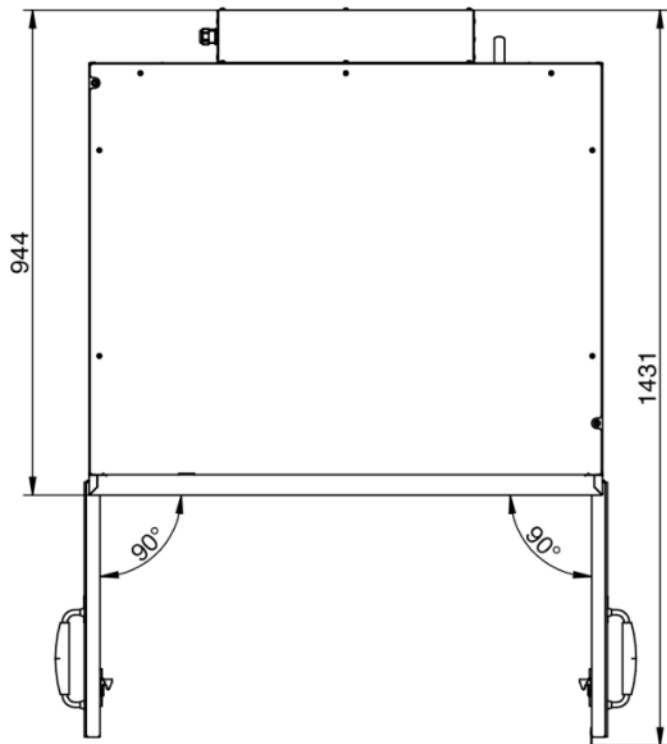
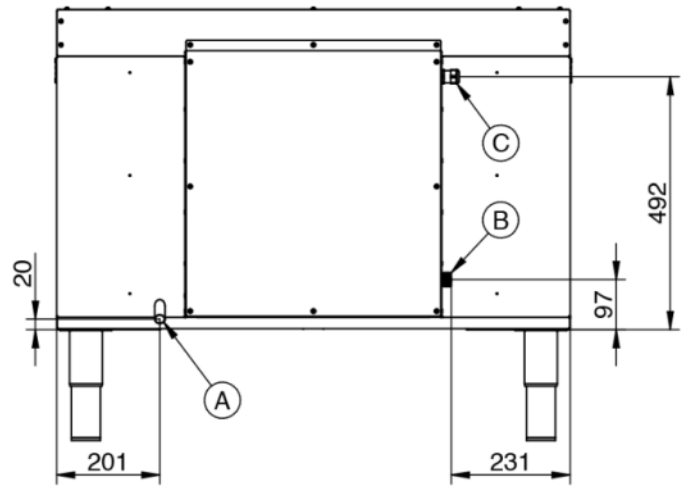
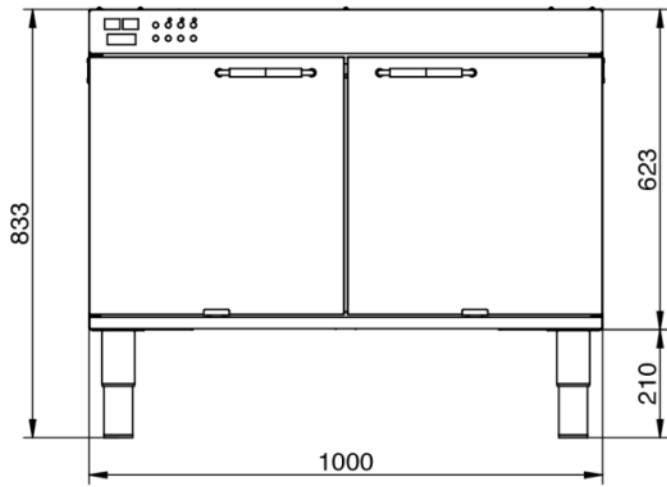
Trays	12T 40x60 46x66 cm
Outside dimension	1000 L x 940 P x 830 H mm
Tray distance	75 mm
Power	1,5 kW
Weight	76 Kg
Max temperature	60° C
Power supply	230 V ~ 1PH + N + PE 50 Hz

Equipment

Five cooking modes	Rounded baking chamber	CE Certificate
Humidity control in percentage with hygrometric probe	Steam generator AWHS	Customized programs mode
Manual mode	EAC certification	Automatic detection and errors report

Lievitatore Mistral TTR

Electrical Supply



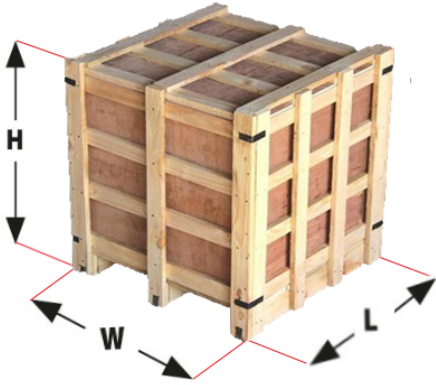
Legend

- A - Drain liquid Ø 20
- B - Water inlet 3/4"
- C - Electric supply

Lievitatore Mistral TTR

Electrical Supply

Packaging



Packing size:	1070 L x 1100 P x 950 H mm
Net weight:	76 Kg
Gross weight:	110 Kg